

**ELKAY**<sup>®</sup>

sinks + faucets

*Introducing*

stainless steel faucets



featuring

ella<sup>™</sup>

ALLURE<sup>®</sup>

Discover the professional's choice.<sup>™</sup>

**ELKAY®**

sinks + faucets

Creating innovative stainless steel faucet families was a natural progression for Elkay, the country's leading stainless steel sink company. In addition, the sustained popularity of stainless steel, considered a classic for decades, continues to make headlines in trend reports due to its versatility, resilience and hygienic, easy-to-clean nature.

## Why Stainless Steel?

It is one of the most hygienic surfaces for the preparation of foods and very easy to clean, as its unique surface has no pores or cracks to harbor dirt, grime or bacteria.

It is the material of choice for commercial kitchens and chefs around the world. It's easy maintenance, aesthetic and robustness make it the perfect fit for any food preparer.

It will not react with acidic foods during food preparation or cooking.

It is totally recyclable.

### An overview of the benefits of stainless steel

#### Hygiene

Bacteriological studies have established that stainless steel provides unbeaten hygiene benefits in comparison with other surfaces (such as wood, plastics, stone, etc.).

#### Aesthetics

Stainless steel can be combined outstandingly well with other materials such as wood and stone. Stainless steel also reflects the colors of its surroundings, so it blends extremely well with any environment.

#### Robustness

Stainless steel withstands corrosion, is relatively pliant (up to 50% elasticity) and maintains its elegant appearance for decades.

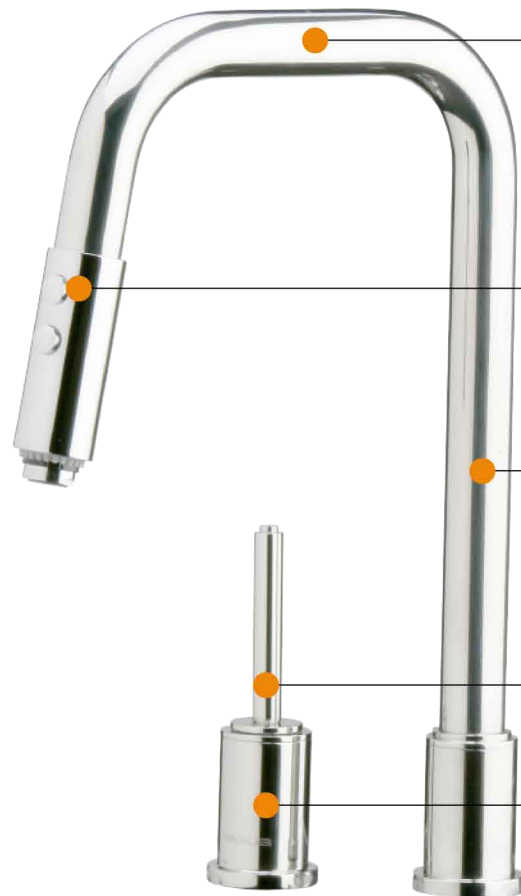
#### Care / Maintenance

Stainless steel is very easy to clean and maintain. It is very attractive and requires minimal care, since it won't chip or easily rust.





## Ella



**Stainless Steel Construction** from solid type 304 stainless steel. Guaranteed to last a lifetime, easy to clean, requires little maintenance and provides a hygienic surface with no pores or cracks to harbor dirt, grime or bacteria.

**Dual Spray Pull-down** features a streamline design that provides 360-degree rotation, offering a sophisticated and functional addition to the kitchen.

**Satin Stainless Steel or Polished Stainless Steel Finish** complements or coordinates with stainless steel appliances, integrating the look and feel of a professional chef's kitchen into any home.

**Single Control Joystick Handle** can easily be turned on or off even while multi-tasking.

**Ceramic Disc Cartridge Technology** provides long-lasting, superior performance and ease-of-operation.

## Allure



**Stainless Steel Construction** from solid type 304 stainless steel. Guaranteed to last a lifetime, easy to clean, requires little maintenance and provides a hygienic surface with no pores or cracks to harbor dirt, grime or bacteria.

**Swing Spout** allows the faucet to reach another bowl or be moved out of the way while working in the sink. Also available with a side spray.

**Single Control Handle** can easily be turned on or off even while multi-tasking.

**Ceramic Disc Cartridge Technology** provides long-lasting, superior performance and ease-of-operation.

**Satin Stainless Steel Finish** exudes a soft sheen that complements and coordinates with stainless steel appliances, integrating the look and feel of a professional chef's kitchen into any home.

