

# PHAC Products, Inc. *Master Distributor Since 1976*

PO Box 14863  
Albany, New York 12212  
HOURS Mon-Fri.8AM-6PMEST

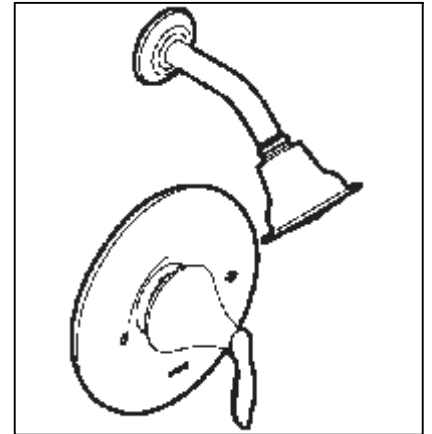
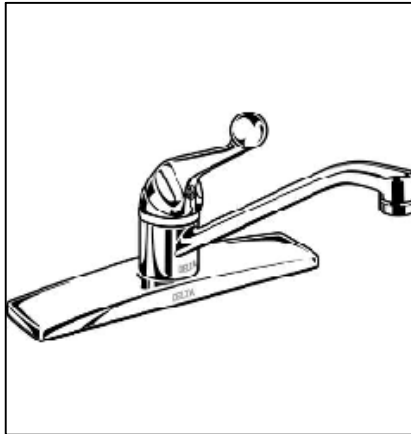
VOICE 518.489.5175 or 1.800.777.PHAC  
LOCAL FAX 518.453.9019 or 800.388.PHAC



THE BOLD LOOK  
OF **KOHLER**.

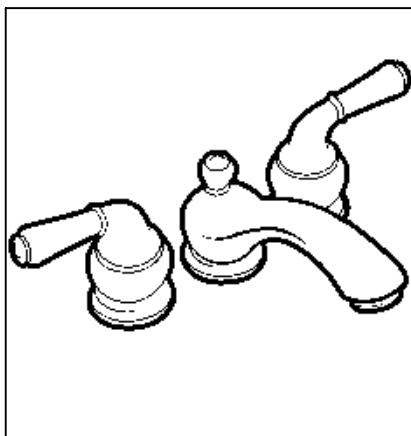
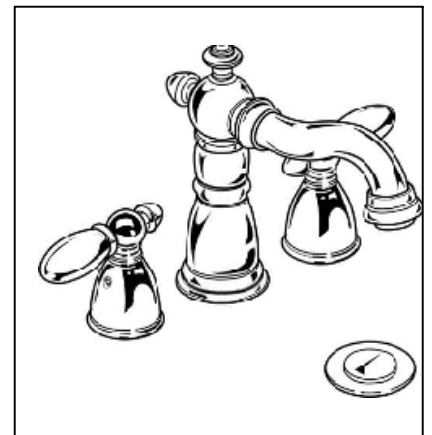


## FREIGHT SALE 2011



**Purchase  
3-5 faucets  
UPS charge  
\$1 each.**

**Purchase  
6 faucets,  
we'll pay the  
UPS charge.  
(GROUND)**



All Faucets  
Must Ship in the  
Same Shipment

**[www.phacproducts.com](http://www.phacproducts.com)**